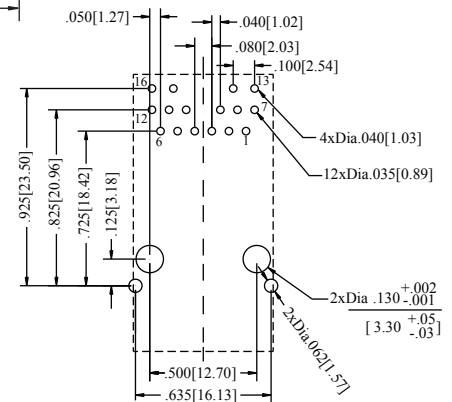
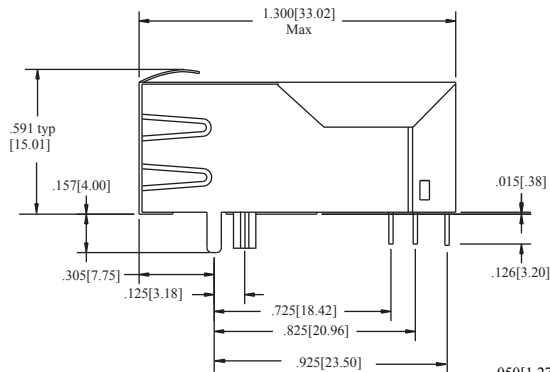
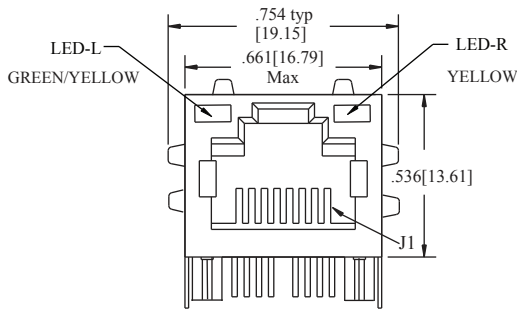


## RJ45 CONNECTOR RMP-047E-12F6-2Y

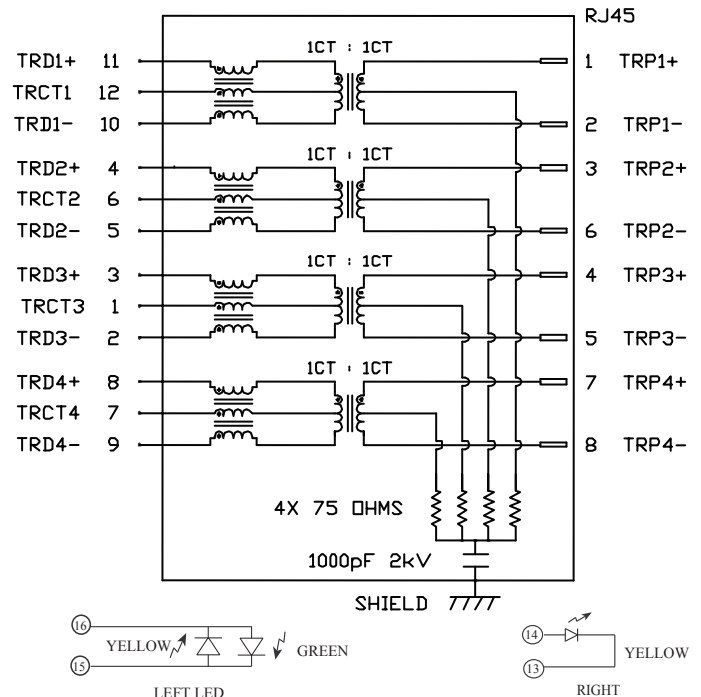


Recommended PCB Layout Component Side View

### Feature:

- . Complies with IEEE standards and all Gigabit specifications including 350uH with 8mA DC bias
- . Intergrated Mag-modular design provides higher reliability and conserves minimizing PCB space
- . Housing: Thermoplastic PBT+30%GF UL94V0 rated
- . Contact :Phosphor Bronze C5191,Thickness=0.35mm plated Nickel 30u" Min, Gold plated on content area 6u" Min
- . Input Terminal : Brass ,Thickness=0.35mm  
Finish : 120μ" min Tin over 50μ" min Nickel
- . Metal shielding:Copper alloy with Nickel plated(C2680), Thickness=0.20mm Ni 30u" Min
- . Different color of LEDs option available
- . Operating temperature:0°C to +70°C
- . Storage temperature: -40°C to +85°C

### SCHEMATIC



### Electrical Specifications: (25°C)

1. Turns Ratio: @50KHz,0.1V: 1 : 1 ±5%	4. Common Mode Rejection: @1~100MHz: -30dB Min @200MHz: -20dB Min
2. Insertion Loss: @1~80MHz : -1.0dB Max @ 100MHz:-1.2dB Max	5. Crosstalk: @1~100MHz : -35dB Min
3. Return Loss: @1~30MHz : -20dB Min @ 60~80MHz : -12dB Min	6. OCL: @100KHz, 0.1V 8mADC : 350uH Min
	7. Hi-Pot : 1200VAC, 1mA, 1Sec

Lead-free process,compliant RoHS

Scale:Do not scale DWG	Unspecified tolerance		Title	RJ45 Connector
Unit :mm	.x +/-	.xx+/-	Manufacture P/N	RMP-047E-12F6-2Y
Prepared BY : X.J.Fang	.xxx+/-	+/-	Part NO.	N/A
Approved BY :			Sheet 1 of 1	REV. 02